

Install ADS-B in less than 10 minutes

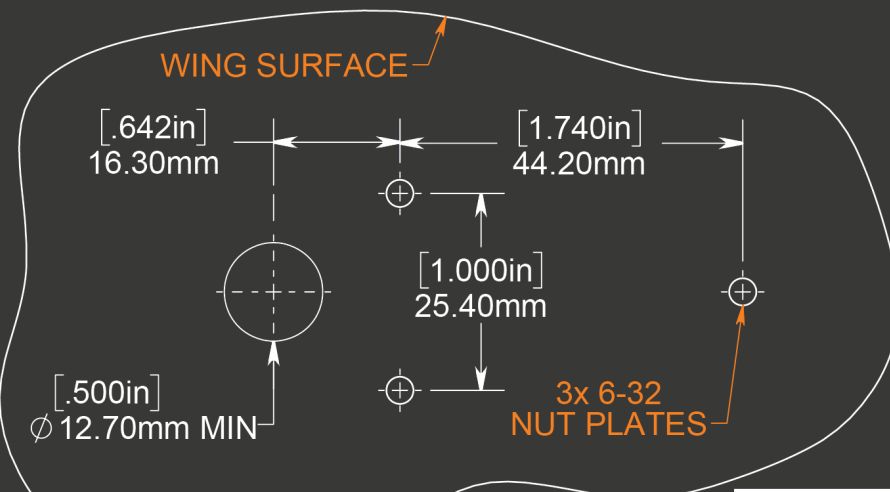
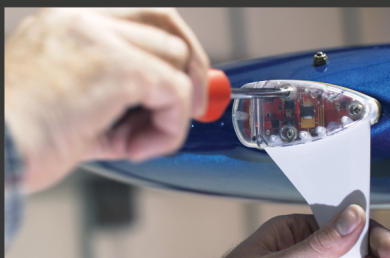
Remove existing position light.



Connect skyBeacon to existing wiring.



Attach skyBeacon using existing mounting holes. Configure with skyBeacon mobile application.



skyBeacon mounting template



skyBeacon

ADS-B OUT | GPS | ALTIMETER | LED LIGHTING



skyBeacon

ADS-B OUT | GPS | ALTIMETER | LED LIGHTING



Easy ADS-B

skyBeacon is the most cost-effective, easy to install, certified ADS-B solution available. The innovative all-in-one design integrates ADS-B Out, WAAS GPS, pressure altimeter, and LED lighting into an elegant bolt-on package.

Keep Your Transponder

skyBeacon works with any Mode C or Mode S transponder. No connections, exceptions, addendums, or caveats; it just works.

5x Certified

UAT Transmitter	TSO-C154c Class B1S
WAAS GPS	TSO-C145d Class Beta 1
Altimeter	TSO-C88b
Position Light	TSO-C30c Type I
Anti-Collision Light	TSO-C96a Class II

See IM for additional approval information

Installs In Minutes

skyBeacon ends ADS-B installation gridlock. Aircraft can be returned to service with full 2020 compliance in under an hour, including the ADS-B performance flight.

uAvionix.com

